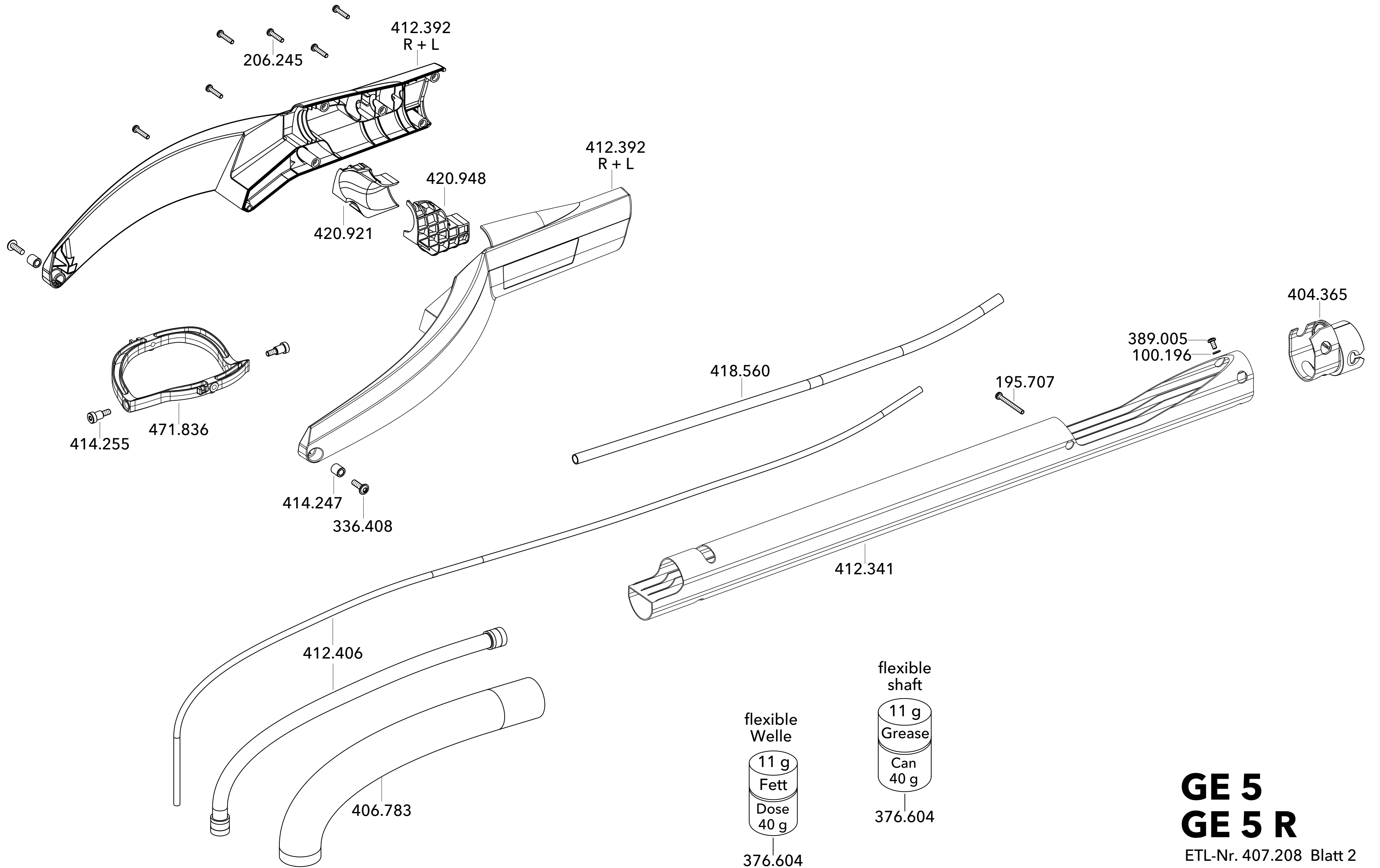


GE 5
GE 5 R

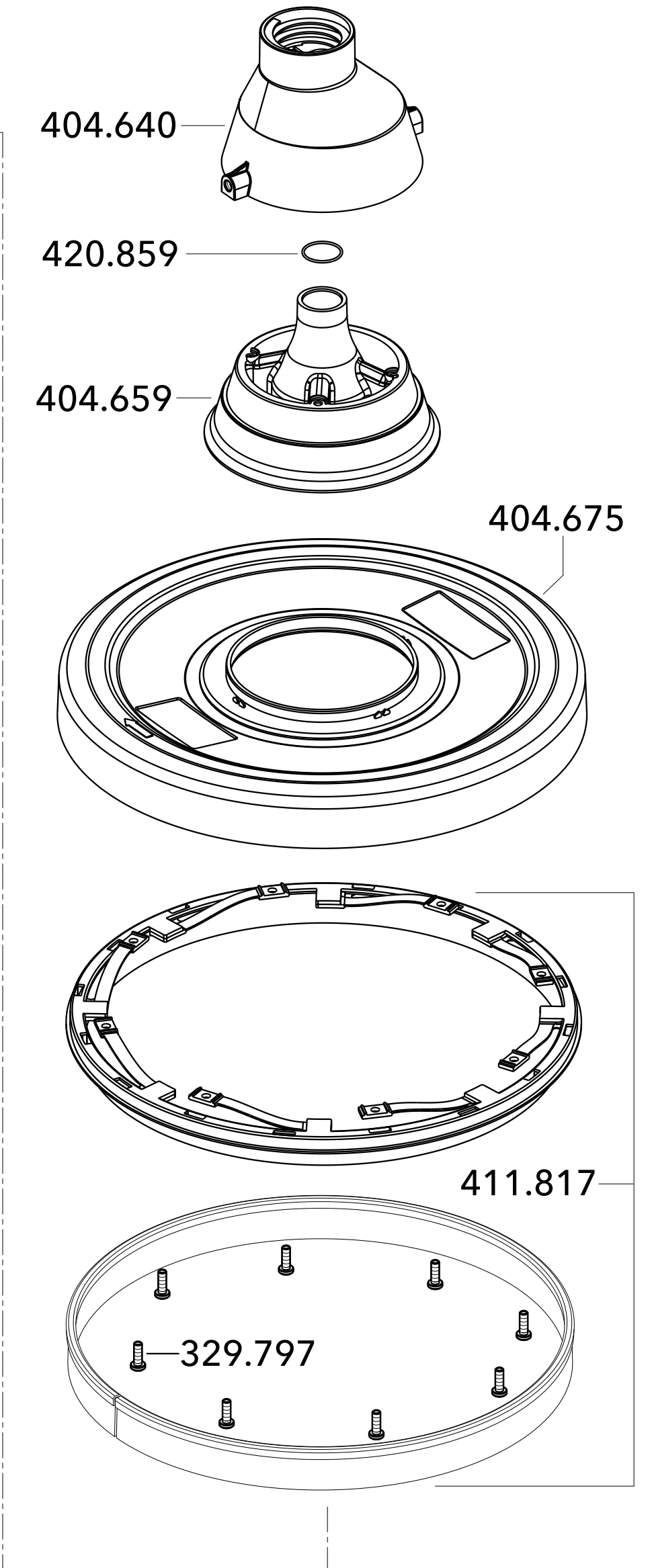
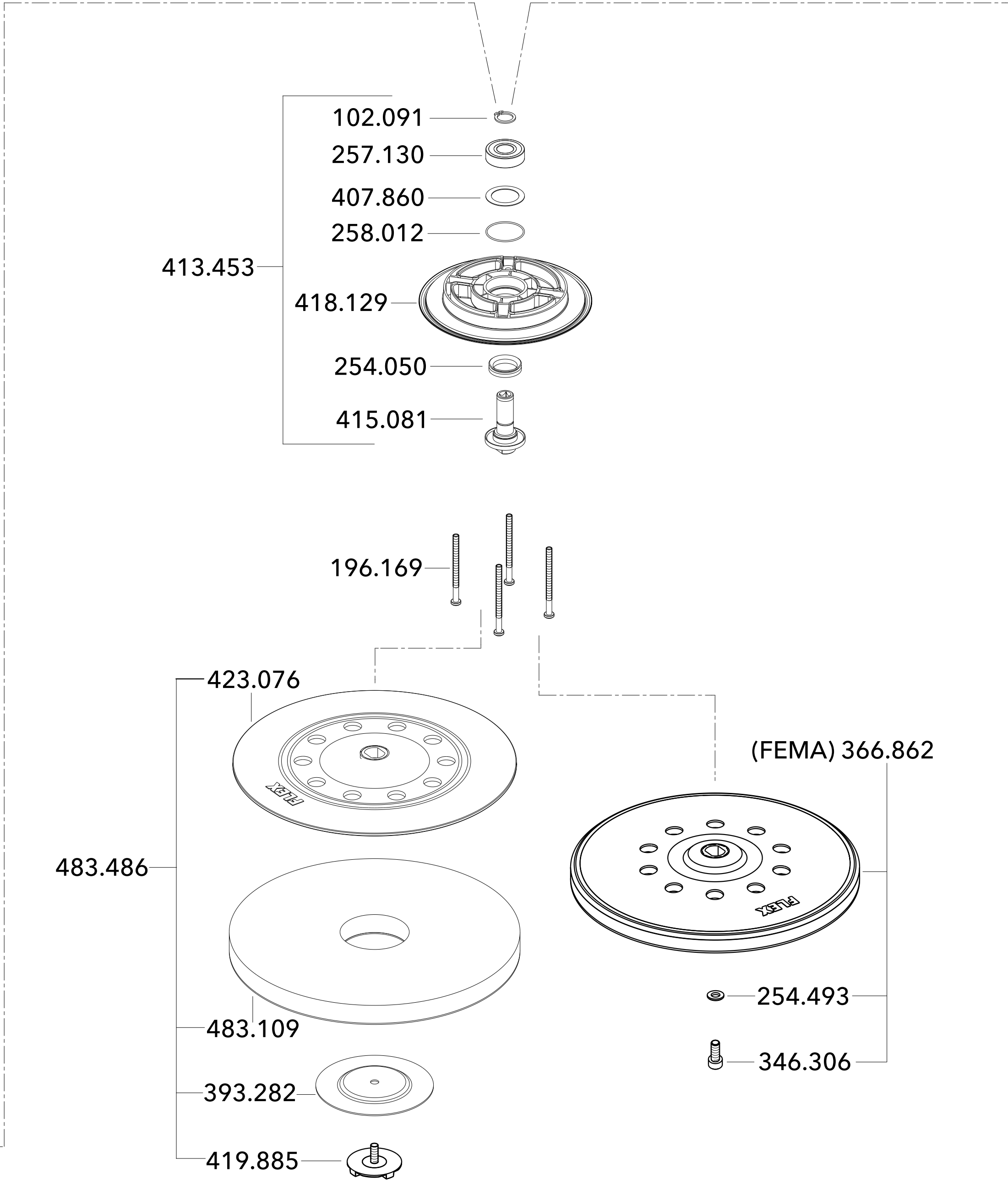
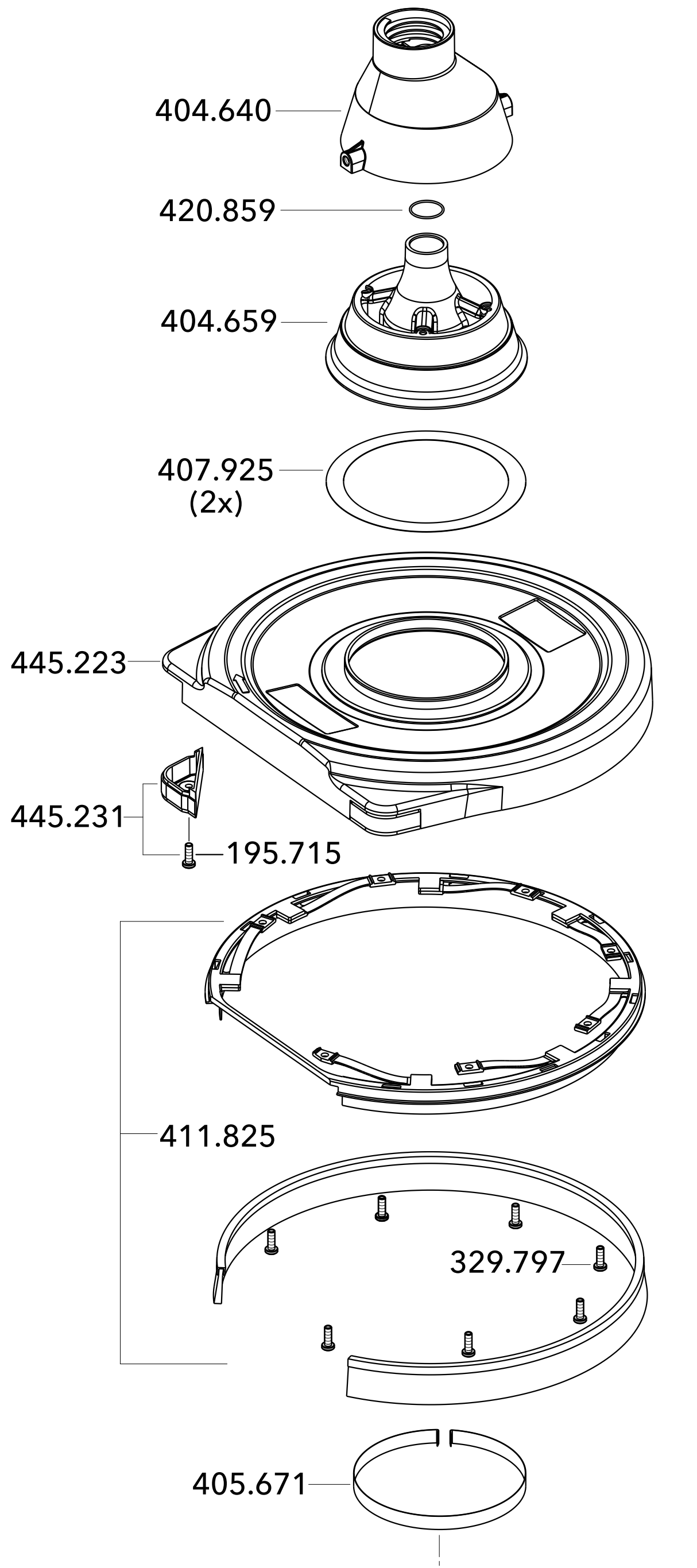


GE 5 GE 5 R

ETL-Nr. 407.208 Blatt 2
Stand 12-2020
status-date 12-2020

Randnahschleifkopf GE 5 R

Rundschleifkopf GE 5



GE 5
GE 5 R