

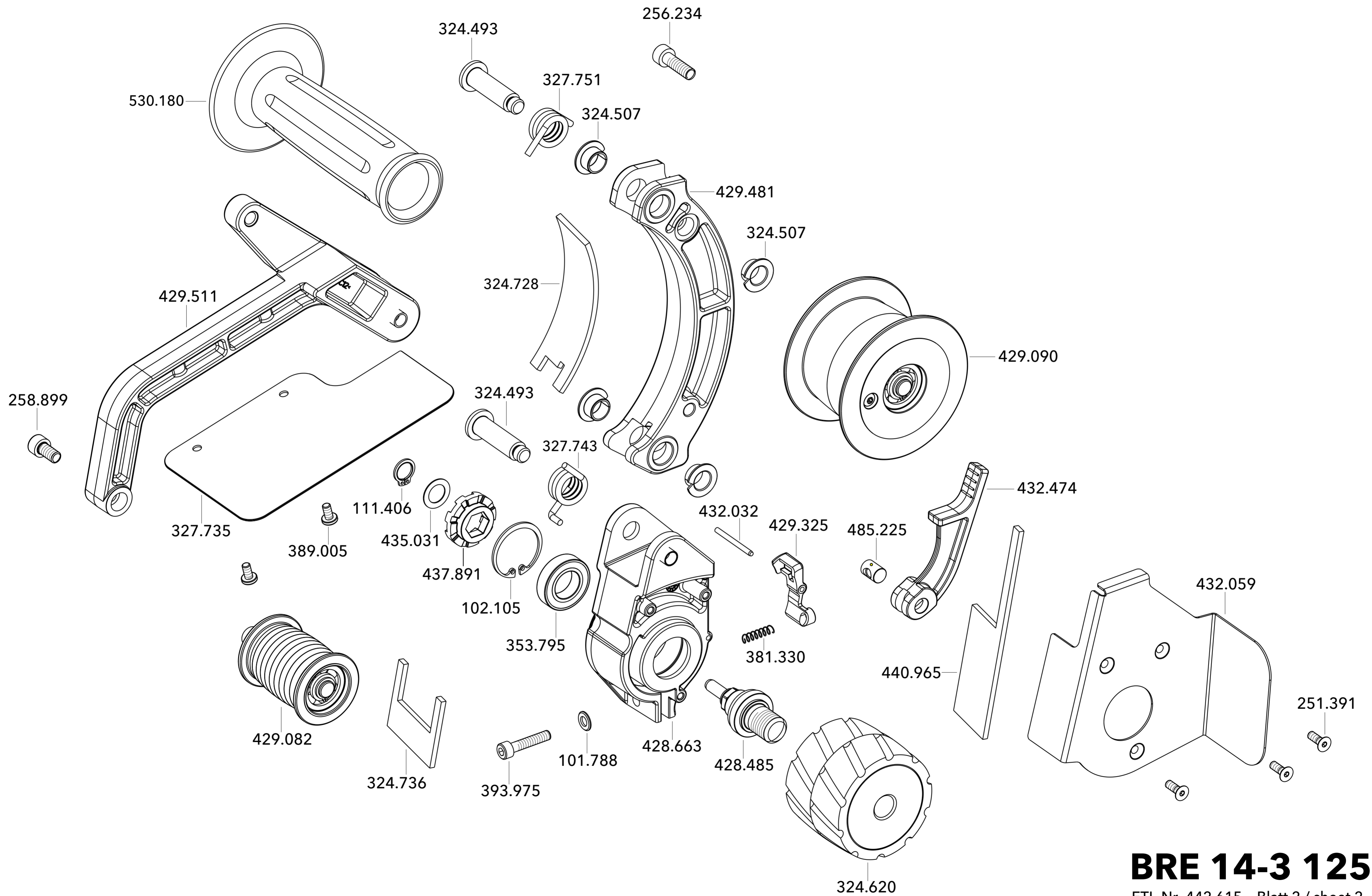
20 g
Getriebe
Fett
Dose
1 kg

20 g
Gear
grease
Can
1 kg

402.648

BME 14-3 L
BBE 14-3 110 230/CEE
BRE 14-3 125 110/CEE
BSE 14-3 100

ETL-Nr. 442.615 Blatt 1 / sheet 1
 Stand 03-2023
 status date 03-2023

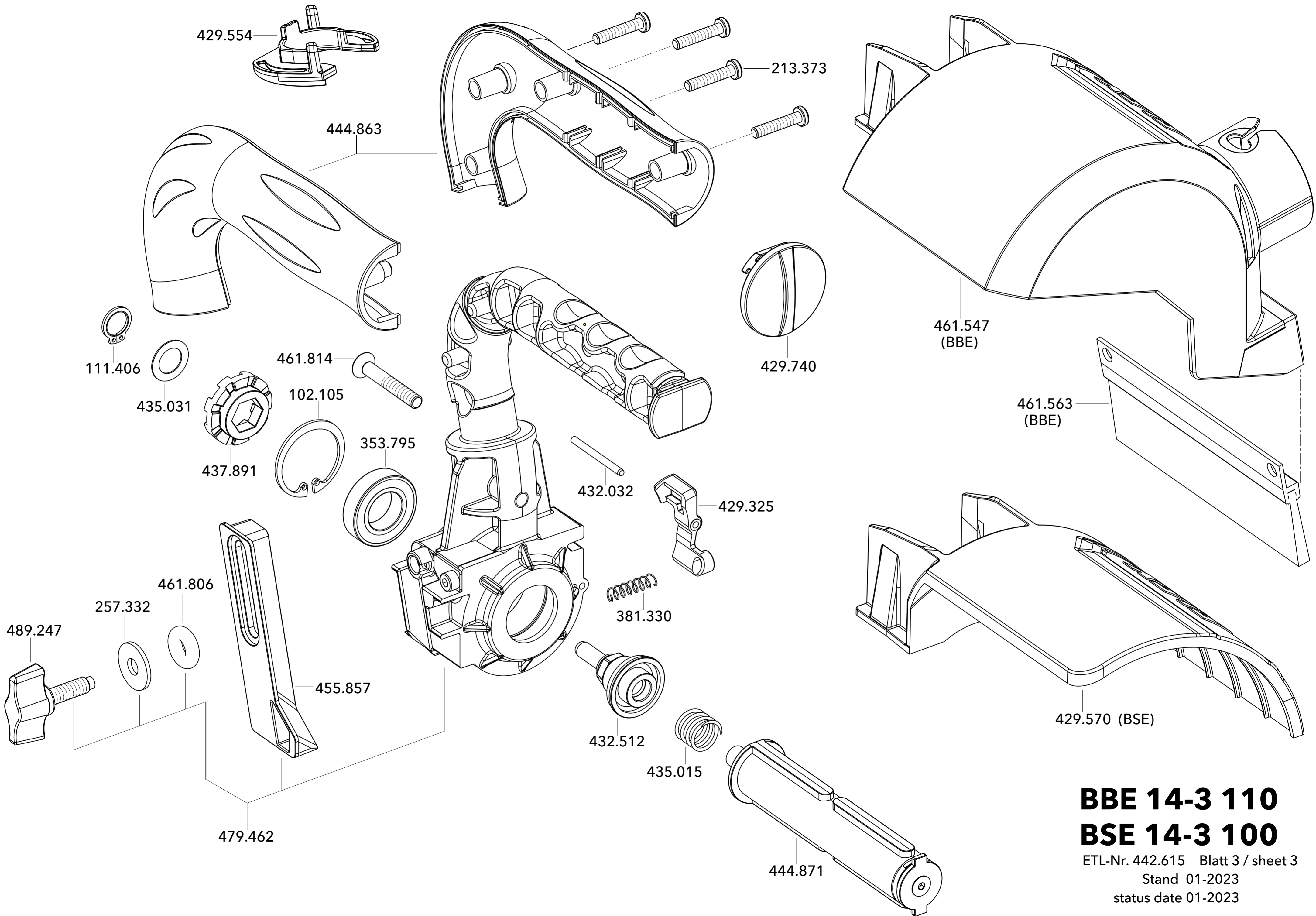


BRE 14-3 125

ETL-Nr. 442.615 Blatt 2 / sheet 2

Stand 01-2023

status date 01-2023



BBE 14-3 110
BSE 14-3 100

ETL-Nr. 442.615 Blatt 3 / sheet 3
Stand 01-2023
status date 01-2023