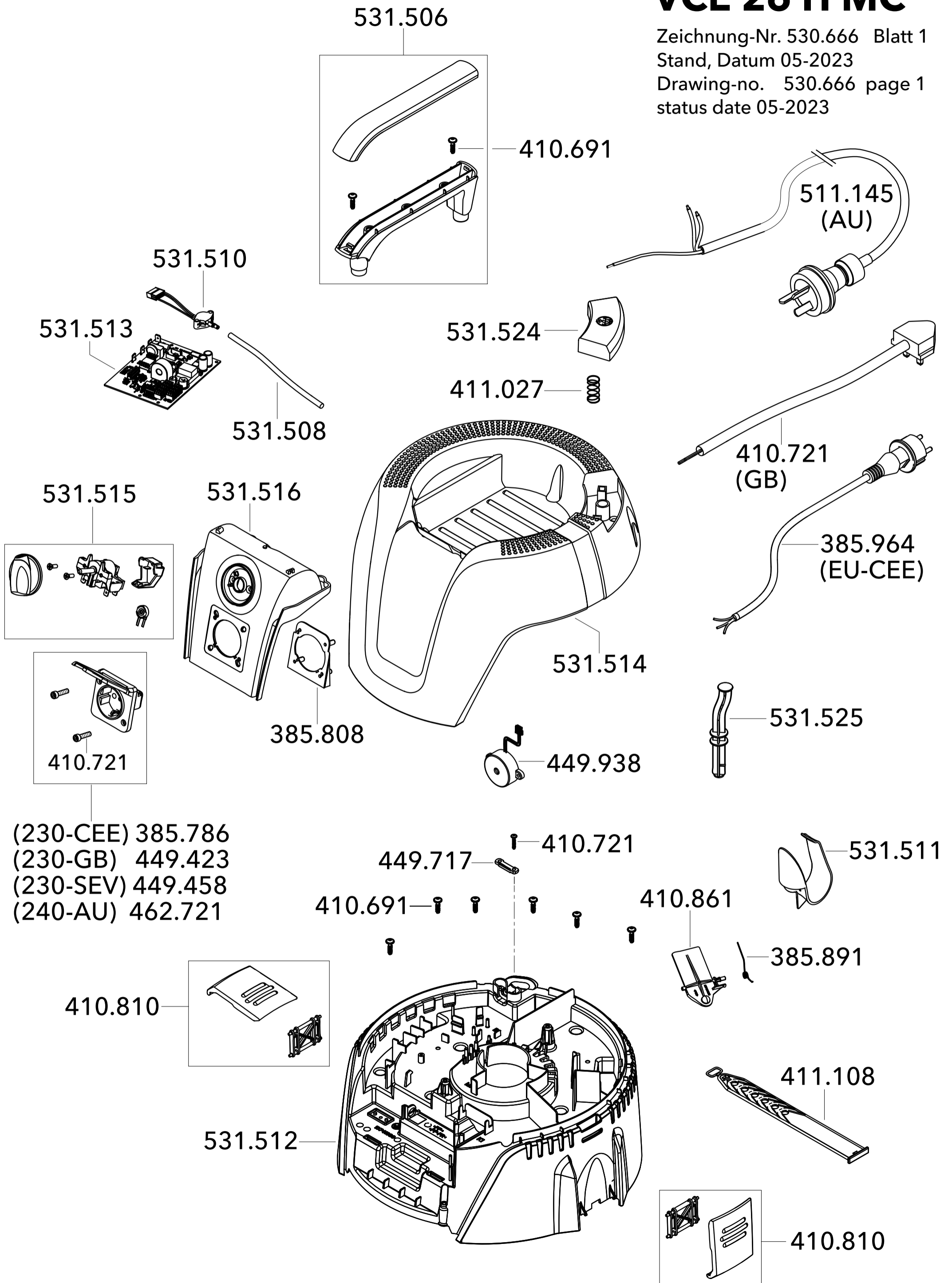


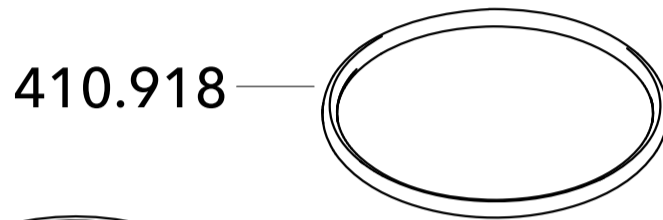
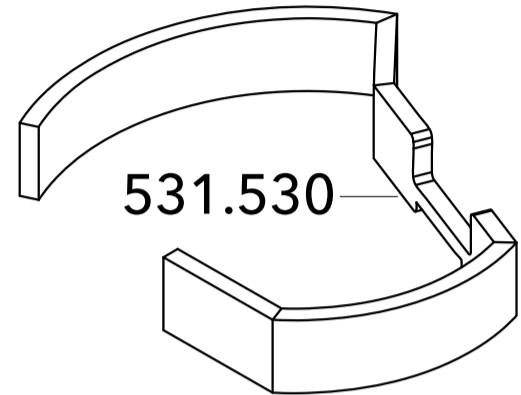
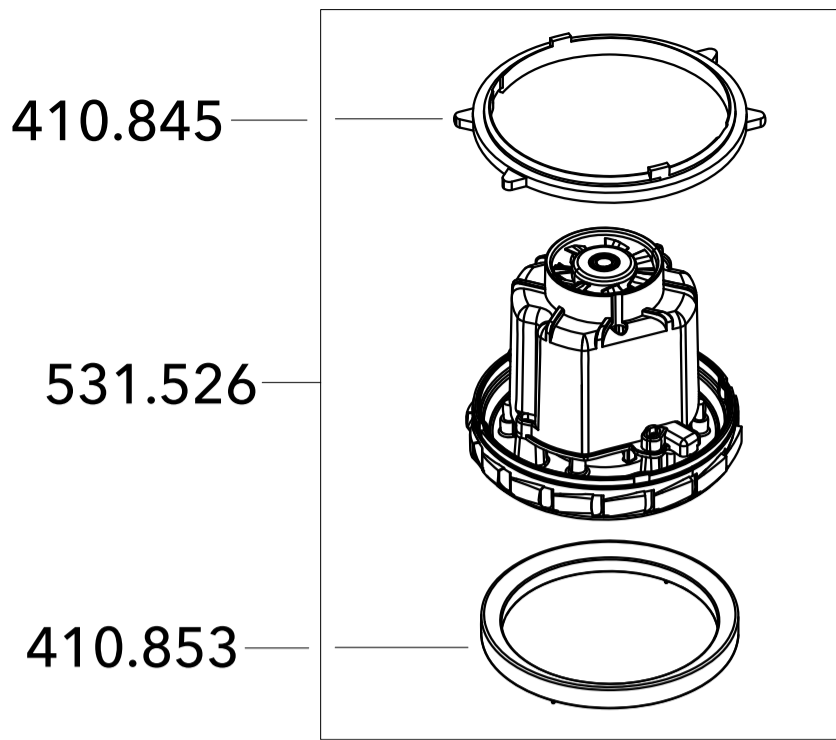
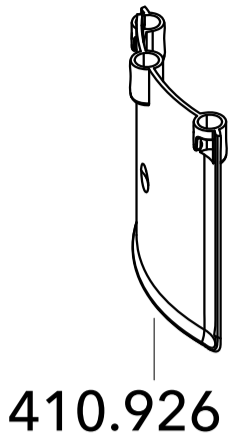
VCE 22 M MC VCE 26 H MC

Zeichnung-Nr. 530.666 Blatt 1
Stand, Datum 05-2023
Drawing-no. 530.666 page 1
status date 05-2023

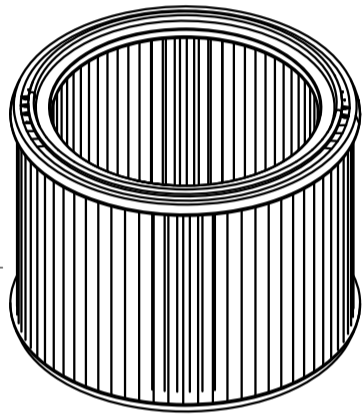


VCE 22 M MC VCE 26 H MC

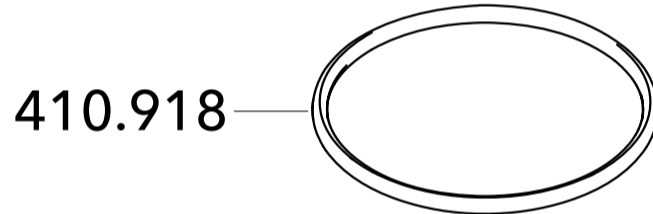
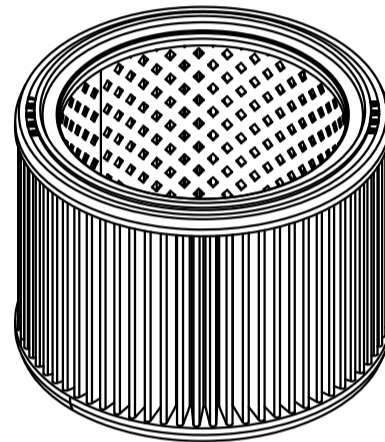
Zeichnung-Nr. 530.666 Blatt 2
Stand, Datum 05-2023
Drawing-no. 530.666 page 2
status date 05-2023



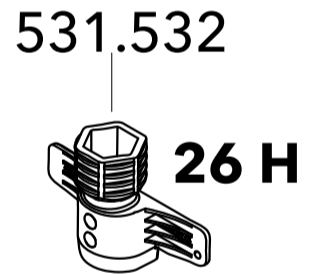
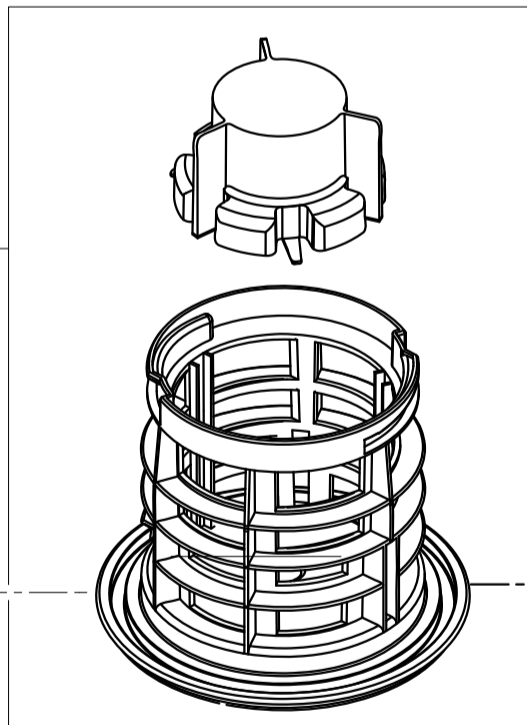
22 M
385.085



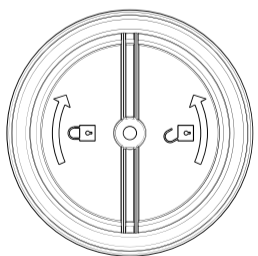
26 H
530.658



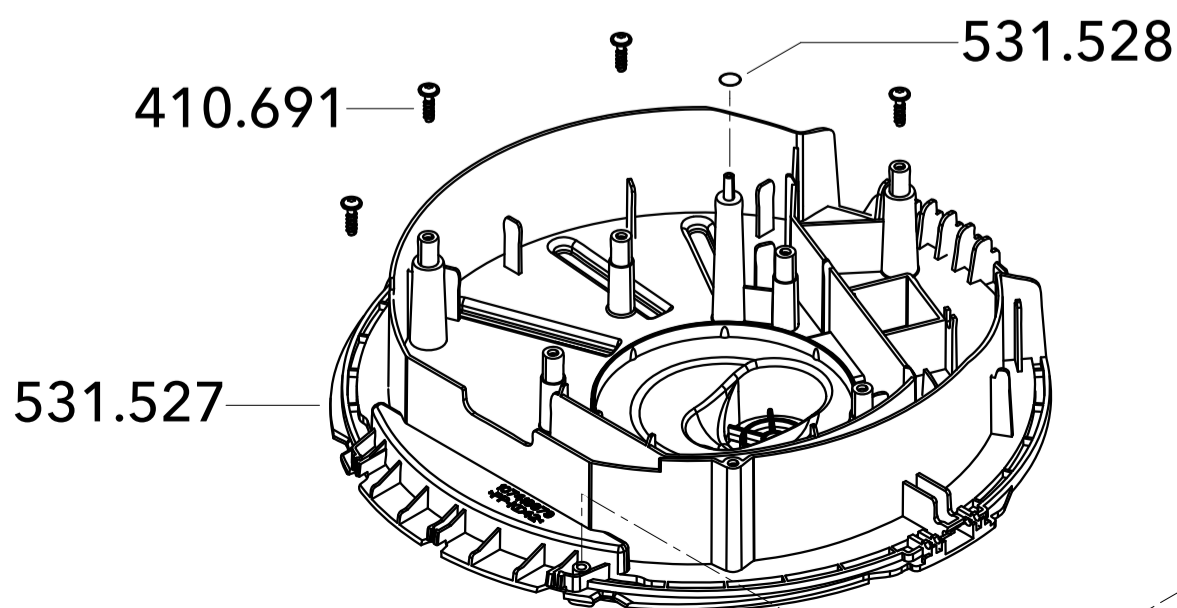
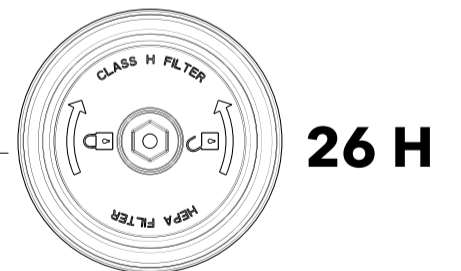
22 M
410.934



22 M

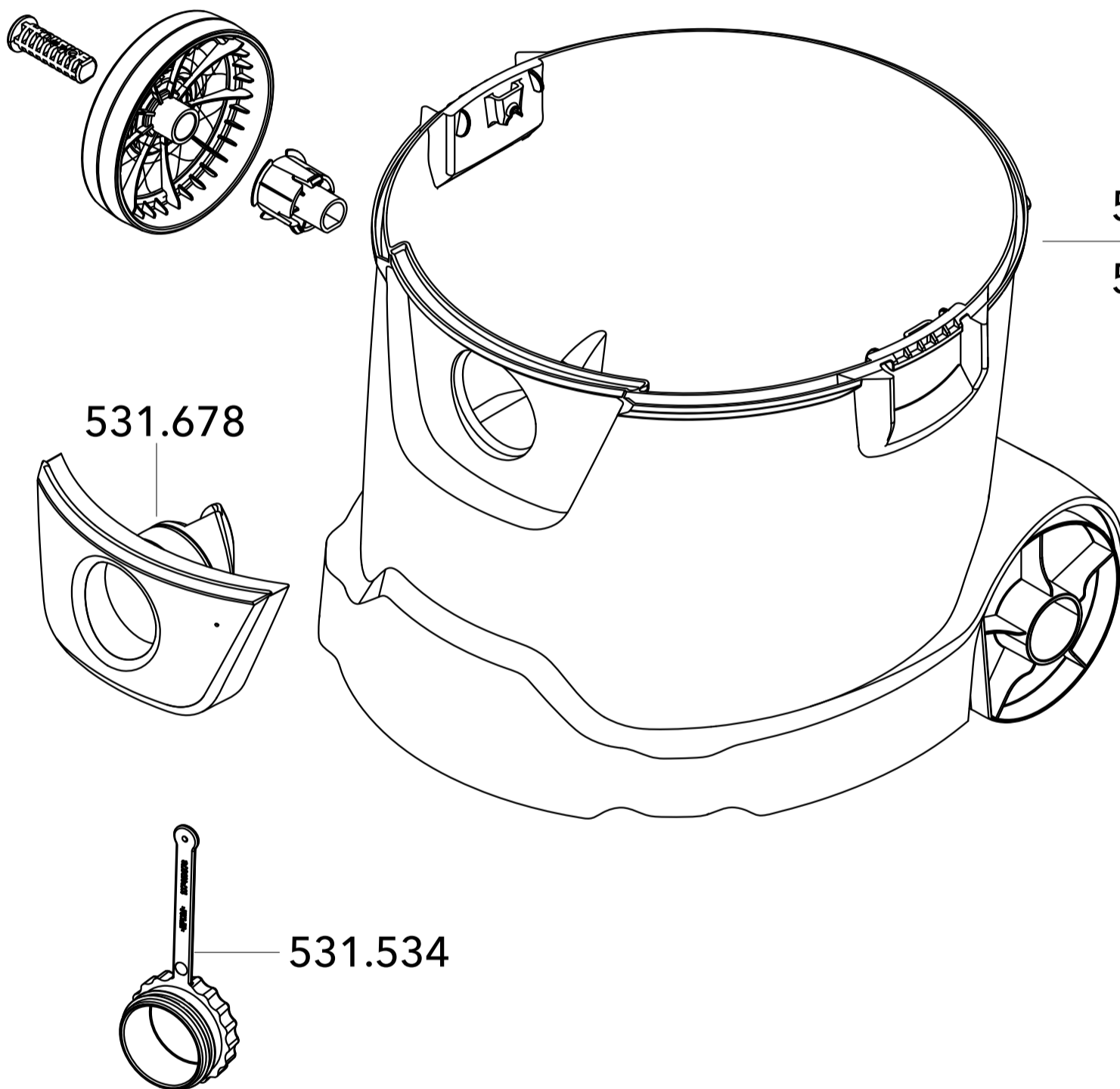
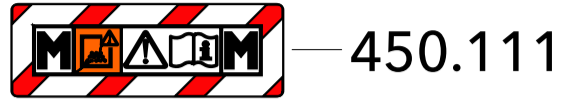


26 H
531.531



VCE 22 M MC VCE 26 H MC

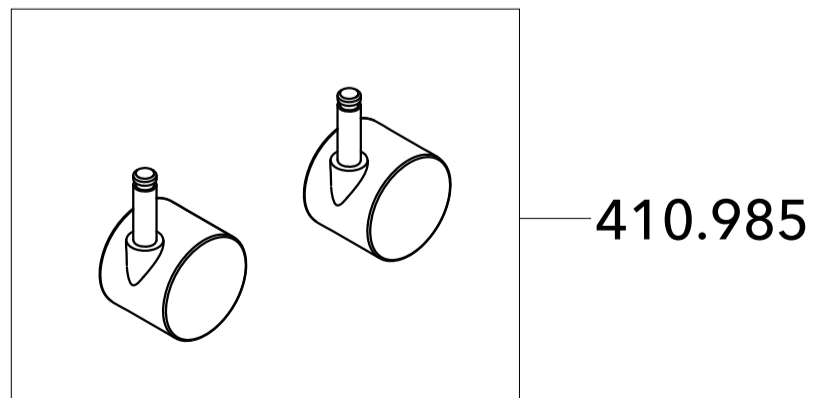
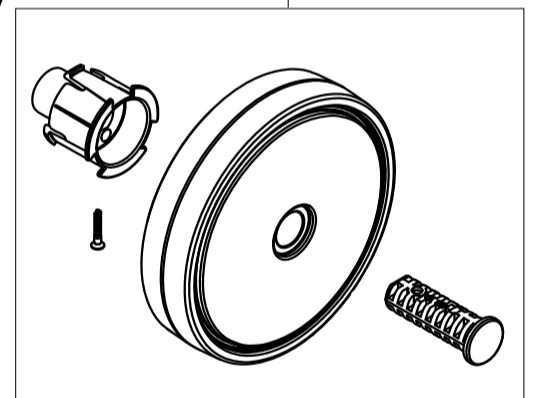
Zeichnung-Nr. 530.666 Blatt 3
Stand, Datum 07-2023
Drawing-no. 530.666 page 3
status date 07-2023



531.517 **VCE 22 M**

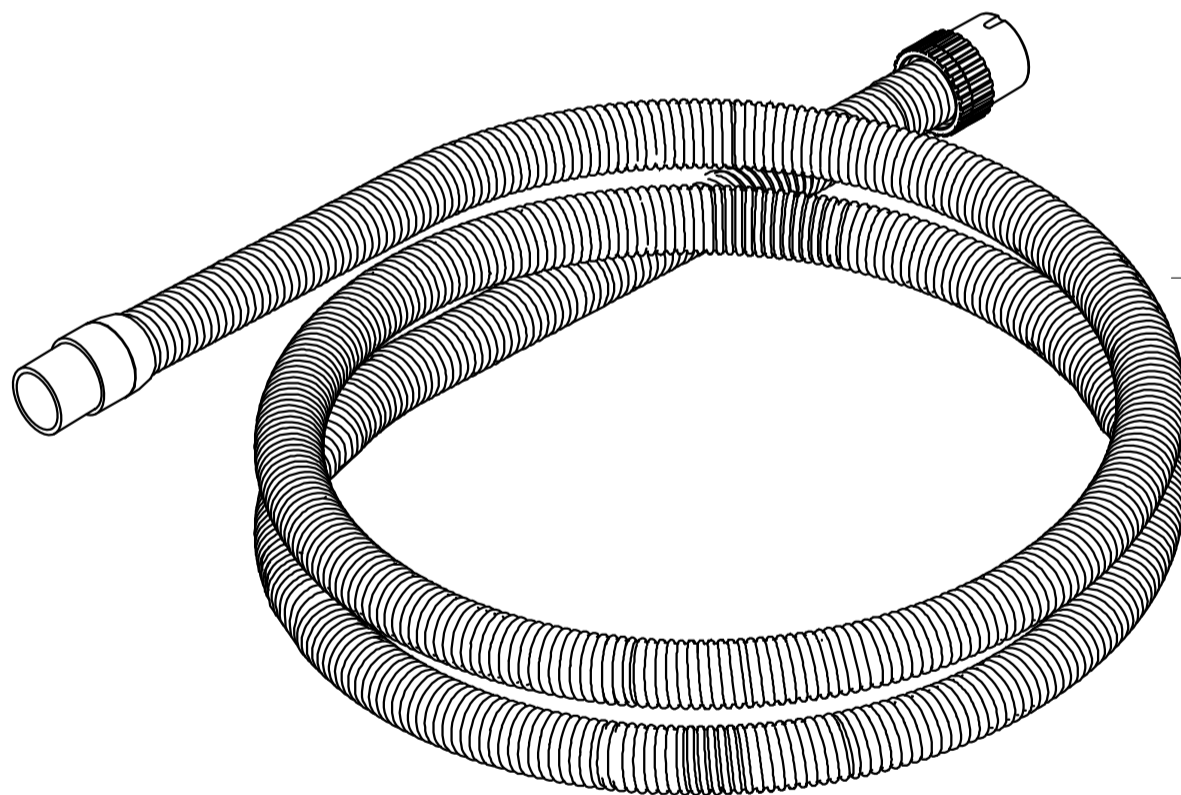
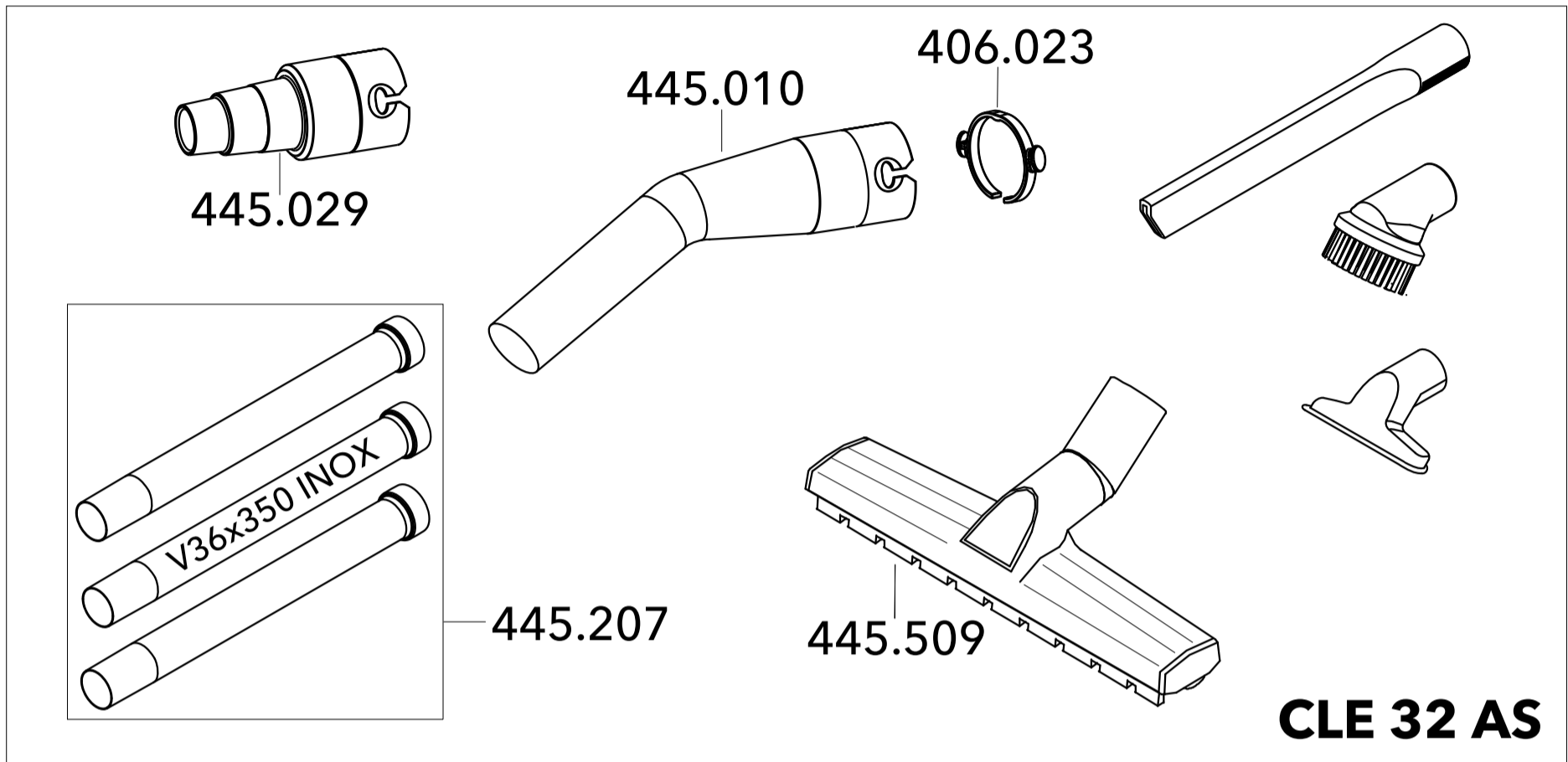
532.121 **VCE 26 H**

531.533



VCE 22 M MC VCE 26 H MC

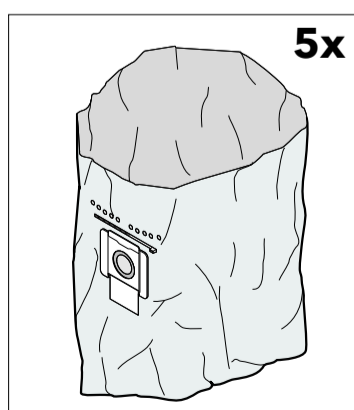
Zeichnung-Nr. 530.666 Blatt 4
Stand, Datum 05-2023
Drawing-no. 530.666 page 4
status date 05-2023



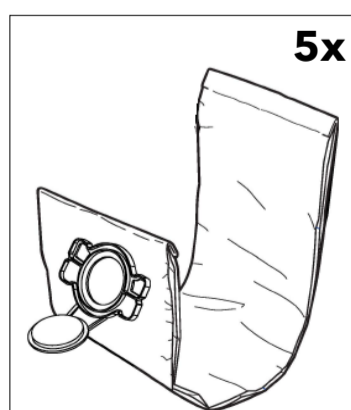
SH 32 x 4m AS
406.708

SH 27 x 4m AS
445.045

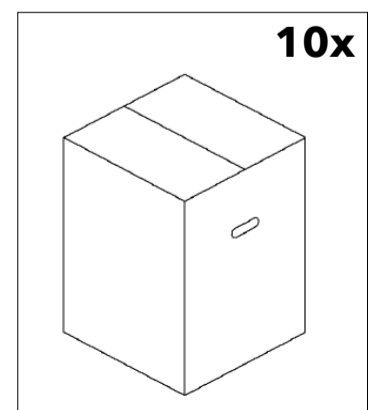
incl. Wkzg.-Adapter
incl. tool-adaptor



385.107



502.235



531.536