

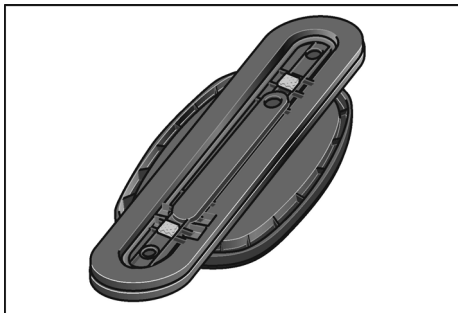
ACCESSORIES

Slender seal

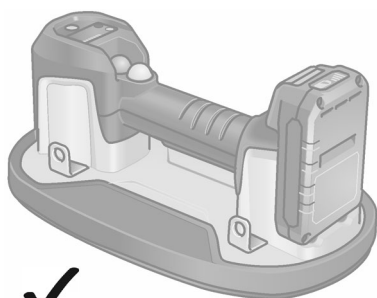
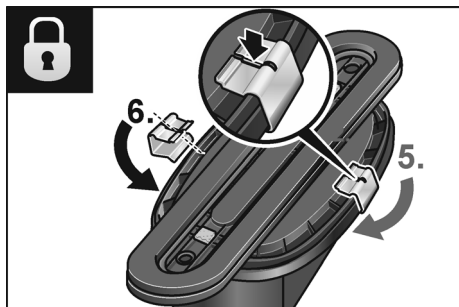
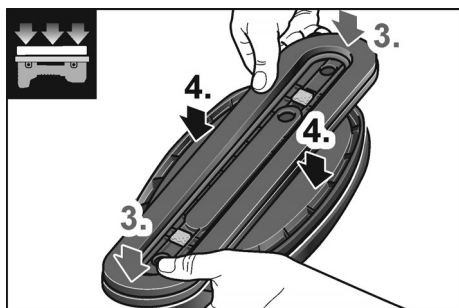
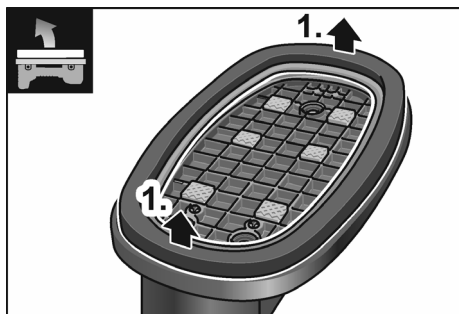


Slender seal

531335 / GRF-LS VL

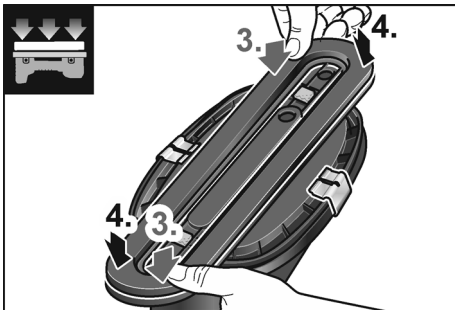
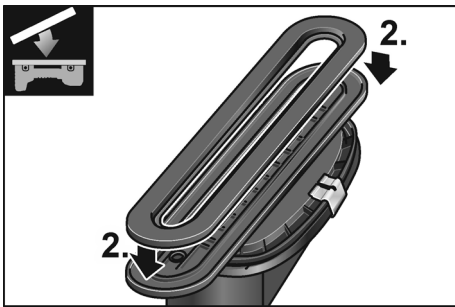
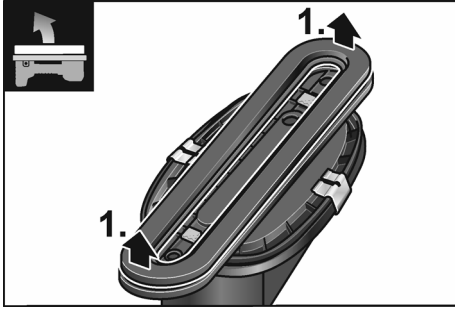


max. 60 kg



531330 / VLP 18

532885



FLEX-Elektrowerkzeuge GmbH
Bahnhofstr. 15
71711 Steinheim/Murr

Tel. +49 (0) 7144 828-0
Fax +49 (0) 7144 25899

info@flex-tools.com
www.flex-tools.com
